

This bracket is intended to allow you to stagger the mounting of multiple DS1000 Trident sensors. It is intended for use with a dual-channel rail with a 40mm spacing between the channels.

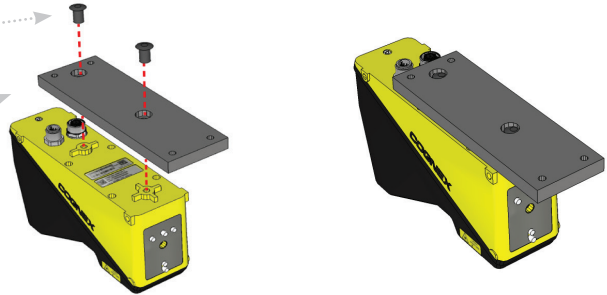
### Attach the adapter plate to the DS1000 Trident Sensor:

Use socket head cap screws to attach the DS interface bracket to the sensor.

Socket Head Cap Screw  
M6.0 X 12mm (qty 8)  
196-10046R rev A

⚠ 4.0 Nm

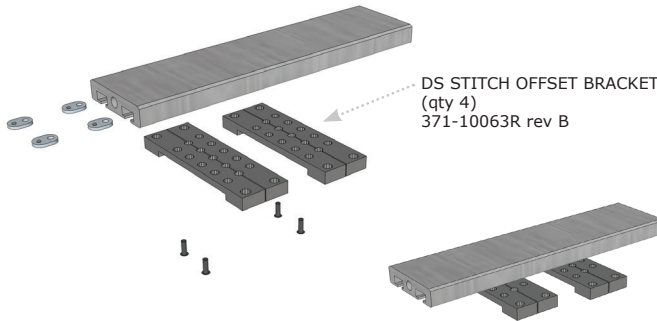
DS Interface Bracket (qty 4)  
371-10062R rev B



### Mount the adapter plates to the 40mm rail:

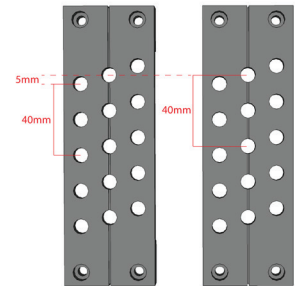
Insert t-nuts into the rail channels and attach the DS stitch offset bracket to the rail (t-nuts and associated screws not included.)

DS STITCH OFFSET BRACKET  
(qty 4)  
371-10063R rev B



### DS Stitch Offset Bracket:

Use different pairs of mounting holes on the two plates to achieve the desired offset.

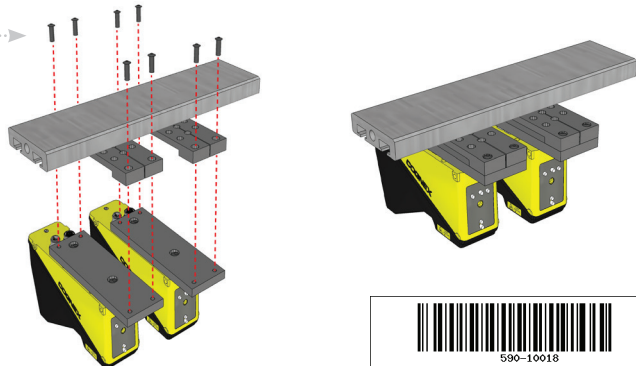


### Attach the DS1000 Trident sensor to the mounting plate:

Use the supplied hex socket cap screws to attach the DS switch offset bracket to the DS interface bracket and mounted sensor.

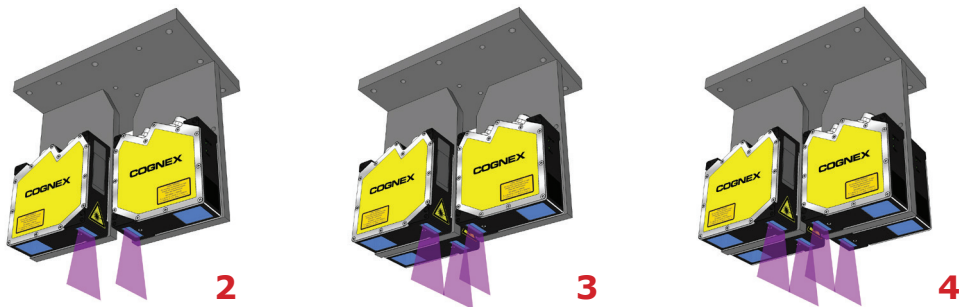
Hex Socket Cap Screw M5 X 16  
(qty 16)  
196-1146R rev A

⚠ 3.5 Nm



This bracket is intended to allow you to stagger the mounting of 2, 3, or 4 DS900 series sensors. The bracket is intended for "head-to-head" mounting because the physical width of the DS900 sensor precludes side-by-side mounting with overlapping region of interest.

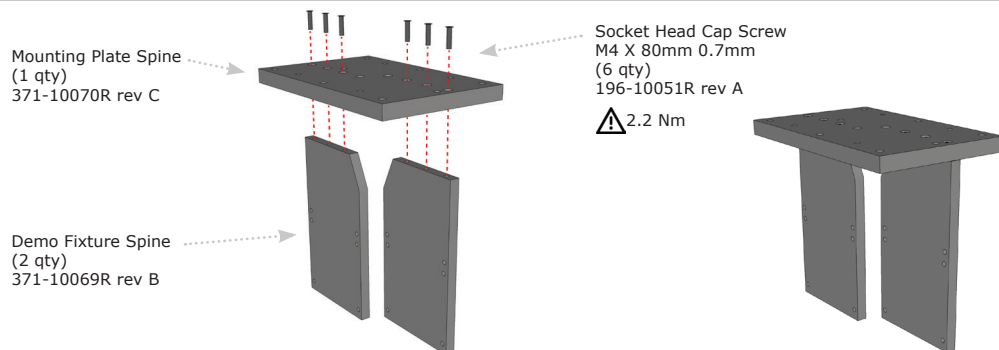
Supported Configurations:



### Attach mounting plates to base plate:

Use socket head cap screws to secure the demo fixture spines onto the mounting plate spine.

Note: The cut out notches in the demo fixture spine plates should face towards the middle.



### Attach DS900 sensors to mounting plates:

Use socket head cap screws to secure the DS900 sensor to the demo fixture spine plate and through a second sensor on the opposite side. Insert three screws through the screw holes located in the upper right and left corner and lower left corner of the sensor. Finish by attaching a washer and nut to the end of each screw.

Note: Shorter screws (not provided) are required if attaching a single sensor to a demo fixture spine plate.

